



THE

# CHESAPEAKE CHEMIST

MARYLAND SECTION  
AMERICAN CHEMICAL SOCIETY

VOL. XXVII

SEPTEMBER, 1971

NUMBER 6

**BIOGRAPHY OF DR. COOKE**

**EXECUTIVE COMMITTEE MINUTES**

**SEPTEMBER MEETING**

**7th MARM—CALL FOR PAPERS**

**1971-72 SECTION PROGRAM**

# the world over



...more laboratories have  
standardized on Tygon plastic Tubing  
than on any other kind

Always insist on genuine  
**TYGON<sup>®</sup> TUBING**

For your protection, every foot of genuine Tygon Tubing is branded  
with the Tygon name and formulation number.

crystal-clear • chemically inert • non-oxidizing • non-toxic  
73 standard sizes • odorless • tasteless

At laboratory supply houses everywhere, or write Plastics & Synthetics  
Division, U. S. Stoneware, Inc., Akron, Ohio 44309.

**NORTON** PLASTICS AND SYNTHETICS DIVISION  
FORMERLY U.S. STONEWARE INC. AKRON, OHIO 44309



## THE CHESAPEAKE CHEMIST

VOL. XXVII

SEPTEMBER, 1971

NUMBER 6

### EDITORIAL STAFF

- William G. Galetto.....Editor  
McCormick and Co.  
204 Wight Ave.  
Cockeysville, Md. 21030  
Phone: 666-3155
- James Leslie.....Associate Editor  
University of Maryland  
Baltimore, Md. 21201  
Phone: 955-7440
- Allen Bednarczyk...Assistant Editor  
McCormick and Co.  
Cockeysville, Md. 21030
- M. J. Albinak...Contributing Editor  
Essex Community College  
Baltimore, Md.
- E. M. Glocker....Contributing Editor  
W. R. Grace and Company  
Clarksville, Md.
- David Gordon....Contributing Editor  
U. S. Food and Drug Adm.  
Baltimore, Md.
- M. R. Vansant...Contributing Editor  
The Johns Hopkins University  
Baltimore, Md.

### BUSINESS STAFF

- Yale H. Caplan.....Business Manager  
Medical Examiner's Office  
111 Penn Street  
Baltimore, Md. 21201  
Phone: 301-752-2000 ext. 2618

### MEMBERSHIP CHAIRMAN

- John L. Kolbe  
W. R. Grace & Co.  
Clarksville, Md.

### SECTION OFFICERS

- Richard J. Kokes.....Chairman  
Chemistry Department,  
The Johns Hopkins University  
Baltimore, Md. 21218
- Joyce J. Kaufman.....Chairman-elect  
Chemistry Department,  
The Johns Hopkins University  
Baltimore, Md. 21218
- Herbert S. Aaron.....Secretary  
7412 Kathydale Road  
Baltimore, Md. 21208
- Theodor C. Berenthien.....Treasurer  
1328 Deanwood Rd.  
Baltimore, Md. 21234

### IN THIS ISSUE

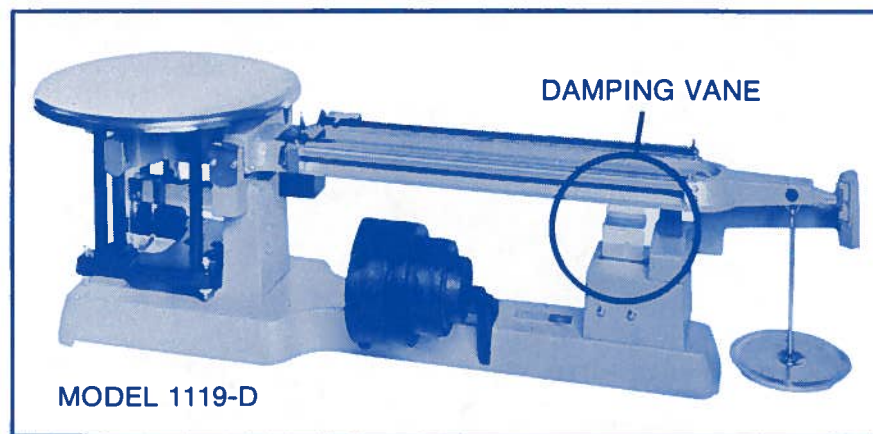
- September Meeting.....5
- Executive Committee Minutes.....7
- 1971-1972 Section Program.....8
- Membership Changes.....10
- Biography of Dr. Cooke.....13
- Precis of Md. Chemist Lecture.....13
- 7th MARM - Call for Papers.....14

*The Chesapeake Chemist* is published monthly September through May by the Maryland Section of the American Chemical Society. Address editorial comments to Dr. William Galetto, McCormick and Co., 204 Wight Ave., Cockeysville, Md. 21030. Phone 666-3155. Address advertising inquiries and copy to Dr. Yale H. Caplan, Medical Examiner's Office, 111 Penn Street, Baltimore, Maryland 21201.

**20 Kg Capacity -  
1 g. Sensitivity . . .**



**and now it's magnetically damped!**



### The Ohaus Heavy Duty Solution Balance

has long been a "must-have" instrument where high capacity, rugged construction, and resistance to environmental contamination are required.

**Magnetic damping, permanent and maintenance free, assures a new degree of accuracy, and a new standard of convenience.**

Cast aluminum base, and aluminum alloy main beam combine strength, with light weight. Positive load stops prevent knife edge and bearing damage through overloading. The platform is stainless steel, and all other exposed parts are protected from corrosion and contamination.

Several models available. Contact us today for details.



**MACALASTER BICKNELL CO. OF N. J., INC.**

NORTH AND DEPOT STREETS, MILLVILLE, N. J. 08332

Area Code 609—825-3222

## SEPTEMBER MEETING

### MARYLAND CHEMIST AWARD



**DR. GILES B. COOKE**

#### DATE:

WEDNESDAY, SEPT. 22nd, 1971 8:30 P.M.

#### PLACE:

Eudowood Gardens Lecture Room, Eudowood Plaza, Joppa Road near Goucher Boulevard.

#### TOPICS:

Dr. G. B. Cooke  
"Chemistry in Applied  
Research and Teaching"

#### DINNER:

Eudowood Gardens Dining Room. Price is \$5.50 per person for cocktails (6:30-7:15, unlimited quantity) and hot buffet dinner (7:15). Students and their spouses may attend the

dinner for \$3.00. Reservations are necessary for the dinner, and should be made with Mr. Allen Bednarczyk, McCormick and Co., Inc., 204 Wight Avenue, Cockeysville, Md. 21030, phone 666-3155, by Friday preceeding meeting. It is not necessary to be a member of the American Chemical Society to attend the dinner or the talks, and the talks may be attended without attending the dinner. You are invited to bring your wife and friends to both the dinner and the meeting.

#### SOCIAL HOUR:

There will be a social hour after the meeting. Refreshments will be served.

# CONVERTS ANY CONTAINER INTO A CONSTANT-TEMPERATURE BATH!



## tempstir™

**Range:** ambient to 80°C  
(100°C with a covered jar)  
**Uniformity:** ±0.15°C  
**Sensitivity:** ±0.12°C

Imagine — a combination *thermostatically-controlled* heater/stirrer by Precision-Scientific for only \$76.00! The high-capacity 1000 watt heater won't burn out — even out of liquid. And, since the thermostat dial has reference numbers, you may reset the temperature control to any previously determined setting.

Heat-up time is 2.5 hours from 25°C to 80°C using a 4½ gallon uninsulated, uncovered jar. With a covered jar, you can heat to 100°C in the same time.

For the entire *Tempstir* story, ask us for bulletin 622.

W-5740X Tempstir complete with thermometer clip (but without thermometer or jar) for 120 V, 50/60 Hz, 1000 W, 8.6 Amps. Weight: 5¼ lbs. Price...\$76.00

**SILVER SPRING, MD. OFFICE:** Wheaton Plaza Office Building  
Phone 587-5600

**PRECISION SCIENTIFIC**  
GLASS  
APPARATUS  
CO. INC.  
BLOOMFIELD, NEW JERSEY

**LABORATORY...**  
♦ APPARATUS  
♦ INSTRUMENTS  
♦ CHEMICALS  
♦ GLASSWARE

Branches: Boston Mass. • Danbury Conn. • Elk Grove Village Ill. • Fullerton Calif. • Philadelphia Penna. • Silver Spring Md. • Syracuse N. Y.

## EXECUTIVE COMMITTEE MINUTES

Minutes of the Executive Committee Meeting of the Maryland Section of the American Chemical Society held on April 19, 1971, at Loyola College.

The meeting was called to order at 8:15 P.M. by the Chairman, Richard Kokes. Present were: T. C. Berenthien, Y. H. Caplan, J. L. Straughn, D. E. Jones, H. C. Freimuth, A. Bednarczyk, M. P. Miller, C. E. Minnier, J. J. Kaufman, J. L. Kolbe, G. L. Braude, F. T. Parr, T. C. Simmons, J. A. Cogliano, and H. S. Aaron.

The minutes of the previous meeting were accepted as published in the March 1971 issue of *The Chesapeake Chemist*.

Theodor Berenthien gave a Treasurer's Report, which is attached as an addendum to these minutes. The deteriorating financial condition of the Section, as reflected in this report, was discussed. Dr. Joyce Kaufman, Chairman of the Special Financial Committee, reported that a meeting of the committee (members: Ted Berenthien, Tim Parr, and Tom Simmons) had been held to evaluate the situation. The main financial drain upon the Section has been the cost of the monthly meetings and the deficit of *The Chesapeake Chemist*. These items were discussed. A motion was made, seconded, and passed that the Executive Committee be recorded in favor of taking whatever steps are deemed necessary by Dr. Kaufman and her Committee to reduce the publication costs of *The Chesapeake Chemist*. Dr. Kokes also suggested that Dr. Kaufman and her Committee take whatever action is necessary to reduce the costs of publication of the monthly meeting notices.

In view of the financial situation of the Section, the question was raised as to whether the Special Scholarship should be terminated or postponed in order to save the matching funds that are supplied by the Section. After some discussion, Dr. Jones moved that the Section reaffirm its earlier commitment and proceed with the scholarship program as

originally planned. The motion was seconded and passed. Dr. Kokes stated that he would look into the possibility of obtaining more funds for the program from local business interests, to replace the matching funds of the Section.

Dr. Minnier, Chairman of the Education Committee, reported that he would like to set up a speaker's bureau for high schools and junior high schools, if there is an interest. Dr. Kokes stated that he would like to see such a program set up for this fall, if possible.

Al Bednarczyk, Chairman of the House Committee, stated that he would like someone to take over the job of handling the monthly meetings. Dr. Kaufman said that Ed Glocker may be willing to take on the job, if he can get someone to assist him.

John Kolbe, Chairman of the Membership Committee, submitted and recommended Carl S. Gorzynski and Leonard W. Haddaway for Associate Membership. A motion was made, seconded, and passed that membership applications of this type should be handled according to the recommendation of the Chairman of the Membership Committee.

Dr. Kaufman, Chairman of the Program Committee, outlined the tentative program for next year. The April meeting is expected to be held on the UMBC Campus.

Dr. George Braude summarized the results of the Councilor's Meeting in Los Angeles. The main subject appeared to be the financial problems of the National ACS. Also, the so-called Professionalism Question of ACS members was debated. Dr. Alan Nixon is planning to run again for the Presidency of the ACS. Dr. Kaufman suggested that proxy

(continued on page 11)

# MARYLAND SECTION

## ACADEMIC YEAR 1971-1972

<u>Date</u>	<u>Subject and Speaker</u>	<u>Time P.M.</u>
September 22, 1971	MARYLAND CHEMIST AWARD Dr. Giles B. Cooke, Retired, Professor, Industrial Chemist, Author. "Chemistry in Applied Research and Teaching"	8:30
October 20, 1971	SCIENCE AND POLITICS Dr. Paul W. Bachman, Retired, author and consultant, Koppers Company, Inc. "Research and Politics"	5:00
	#Dr. William D. McElroy, Director, National Science Foundation "Science Policy and Politics"	8:30
November 17, 1971	CHEMISTRY EDUCATION NIGHT Dr. Theodore L. Reid, National Science Foundation. "New Directions for the Support of Science Education at the National Science Foundation"	5:00
	Professor Marjorie Gardner, University of Maryland. "Interdisciplinary Approaches to Chemistry"	8:30
December 15, 1971	INORGANIC NIGHT #Dr. Earl L. Muetterties, E. I. du Pont de Nemours & Co. "Transition Metal Hydride Chemistry"	5:00
	Professor Alvin MacDiarmid, University of Pennsylvania. "Silicon Chemistry"	8:30
January 26, 1972	RECENT INSTRUMENTAL METHODS Professor Rolfe Herber, Rutgers University "Architecture of Organometallic Compounds from Mossbauer Effect Systematics"	5:00
	Dr. Thomas Carlson, Oak Ridge National Laboratories. "Recent Developments in the Use of Electron Spectroscopy for Chemical Problems"	8:30
February 23, 1972	BIOCHEMISTRY NIGHT Professor William Bailey, University of Maryland "A new Synthesis of Polypeptides and Ordered Copolyamides Thru the Acylazide Hydrobromides"	5:00
	#Professor Ronald Breslow, Columbia University "Biometric Chemistry"	8:30

(continued on page 9)

(continued from page 8)

<u>Date</u>	<u>Subject and Speaker</u>	<u>Time P.M.</u>
March 15, 1972	BIOCHEMISTRY OF THE BRAIN Dr. Daniel H. Efron, Chief, Pharmacology Division, Psychopharmacology Branch, National Institute of Mental Health. "Biochemistry of Psychosis"	5:00
	*#Dr. Julius Axelrod, Chief, Section on Pharmacology, National Institute of Mental Health. "Biochemistry of Catecholamines"	8:30
April 19, 1972	MOLECULAR ORBITALS (UMBC) Tour of the new Science Building, the University of Maryland Baltimore Campus	5:00
	*#Professor Robert S. Mulliken, University of Chicago. "Portrait of the Iodine Molecule" or "Recent Developments on Molecular Complexes"	8:30
May 24, 1972	REMSEN LECTURE Homewood Campus, The Johns Hopkins University Reception in honor of Remsen Lecturer, Faculty Club	6:00
	Remsen Lecture, Shaffer Hall	8:30
	**Recipient of a National ACS award. *Nobel laureate # Member National Academy of Sciences	

The meetings of September, October, November and December 1971 and January, February and March of 1972 will be held at Eudowood Gardens. The meeting in April 1972 will be held in the Chemistry Building, UMBC. The May 1972 meeting will be held at The Johns Hopkins University.

(continued from page 10)

Stanley A. Piatek Westway N., Baltimore
Vernon Dennis Ringbloom McKendree Rd., W. Friendship, Md.
Emory William Sarver Bayberry Rd., Edgewood, Md.
Gary Wayne Schnuelle Wycombe Way, Baltimore
David Martin Schwaber Janellen Dr., Baltimore
Harrison E. Scott Hilton Ave., Baltimore
Roosevelt Shaw Rossiter Ave., Baltimore

(continued on page 11)

IF YOU CHANGE YOUR ADDRESS . . . Please do not notify the Editor of the *Chesapeake Chemist*, but send your new and old addresses to: The American Chemical Society, 1155 Sixteenth Street, N. W., Washington, D. C. 20036. The Maryland Section will then be notified.

**ORGANIC MICROANALYSES**  
**GALBRAITH**  
**LABORATORIES, INC.**  
P. O. Box 4187  
Knoxville, Tenn. 37921  
**(615) 546-1335**  
**HARRY W. GALBRAITH, Ph.D.**

## MEMBERSHIP CHANGES

The following people have recently joined the Maryland Section of the American Chemical Society. The local Section welcomes each one and invites each member to attend Local Section meetings and to participate in Local Section Activities.

John Gordon Adams  
Owings Mills, Md.

Robert Blevitt  
Miror Light Place, Columbia

Eves John Breau  
Johns Hopkins Univ., Baltimore

Roger Alan Brumback  
Johns Hopkins Hosp., Baltimore

Kenneth A. Devor  
JHU Medical School, Baltimore

Douglas Ward Donigian  
E. Tarleton Ln., Baltimore

William Noel Einolf  
Harman Ave., Baltimore

Donald Elmer Erdman  
Carrbridge Circle, Towson

Philip Vincent Errico  
Frederick, Md.

George Yuan Fei Kuo  
Univ. Terrace, Columbia

Rodney Orell Fields  
Manor Mill, Monkton, Md.

Louis Carl Fiorucci, Jr.  
Cobourg Ct., Baltimore

Albert Michael Gardner  
Beechwood Dr., Ellicott City, Md.

William H. Geer  
Hart Rd., Highland, Md.

Carl Stanley Gorzynski, Jr.  
S. Rolling Rd., Baltimore

Walter VanVleck Greenhouse  
Rocksham Dr., Baltimore

Thomas Scott Griffin  
Bernice Terrace, Aberdeen, Md.

George Mark Gurria  
N. Charles St., Baltimore

Leonard Wesley Haddaway  
Hernwood Rd., Woodstock, Md.

Francis J. Hartdegen  
Clarksville, Md.

Stephen Albert Haut  
Marietta Ave., Baltimore

Neil Roger Henham  
Pulaski Highway, Baltimore

Charles Edward Herring, Jr.  
Orkney Rd., Baltimore

Mrs. Eleanor R. Jensen  
Barton Rd., Port Deposit, Md.

Robert Eric Johnson  
Goodnow Rd., Baltimore

Albert J. Kaupa  
Town & Country Blvd., Ellicott City, Md.

Thomas John Kistenmacher  
Johns Hopkins Univ., Baltimore

Donald W. Larsen  
Henryton Rd., Marriottsville, Md.

Sumner Levine  
Phantom Ct., Columbia, Md.

Mrs. Adoracion A.D. Lunasin  
U.S. Naval Acad., Annapolis

Myron Thomas McCall  
S. Rolling Rd., Baltimore

Victor H. Morgenroth III  
Whirlwind Ct., Baltimore

Peter J. Pan  
Rich Mar Rd., Owings Mills, Md.

Raymond Carl Petersen  
Joey Dr., Ellicott City, Md.

(continued on page 9)

(continued from page 7)

votes be permitted on questions that appear on the pre-meeting agenda, by Councilors not able to be present at the meeting. She plans to make such a request to the National ACS.

Dr. Kaufman reported that a two day meeting for local section officers will be held in Philadelphia on May 13-15. The cost of the meeting will be \$50 plus transportation. A motion was made, seconded, and passed that Dr. Kaufman should attend the meeting and be reimbursed for her expenses.

Dr. Jones moved that we should provide the necessary funds (about \$1600) to cover the current bills of The Chesapeake Chemist. The motion was seconded and passed.

Dr. Jones moved that we should increase the Section dues to \$4 per year. The motion was seconded and passed. Dr. Kaufman moved that the new dues schedule be changed to read \$3 per year for dues, plus \$1 contribution for the Remsen award. The motion was seconded and passed.

Dr. Kokes announced that he has been invited by Professor Calvin, President of the ACS, to attend the inauguration of the President of Washington College on May 8, 1971, as the representative of the ACS. Dr. Kokes cannot attend, and he designated Dr. Straughn as his representative.

Dr. Miller stated that a questionnaire will be sent to the membership to assess interest in having the Section sponsor a short-course lecture series this fall.

Dr. Jones reported that the 1978 MARM date is open. He moved that the Maryland Section put in a bid to the MARM Steering Committee to sponsor the 1978 meeting. The motion was seconded and passed. He reported that the 1971 meeting, which was held in Baltimore, lost \$350. This sum would come out of the MARM sinking fund.

Dr. Simmons asked the membership for suggestions for a possible meeting place for future monthly meetings. The location should be convenient to reach, have adequate parking and meeting facilities, and offer dinner at a reasonable price.

The meeting was adjourned at 11:00 P.M.

Respectfully submitted  
Herbert S. Aaron,  
Secretary

---

## EDITORIAL

You may notice that starting with this issue the appearance of the Chesapeake Chemist is different from past issues. In an effort to substantially reduce the printing expenses we have switched from a type-set printing operation to a direct photo off-set operation. In the interest of economy the luxury of having even margins has been forsaken.

(continued from page 9)

Barrett G. Smith  
Summit Ave., Baltimore

James C. Smyth  
Winborne Dr., Glen Burnie, Md.

Robert Frank Steiner  
Turf Valley Rd., Ellicott City, Md.

Irving M. Stillman,  
Fallriver Row Ct., Columbia, Md.

Robert George Stone  
Green Mt. Cr., Columbia, Md.

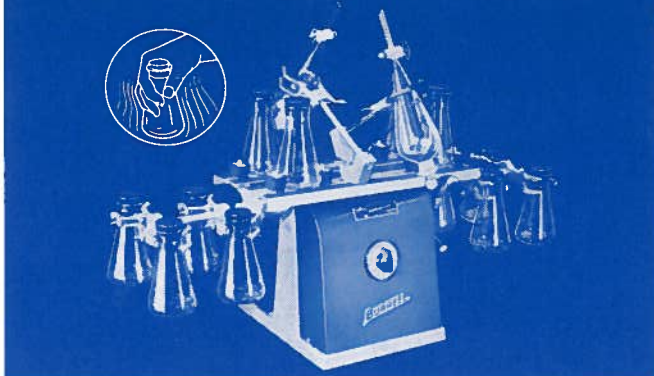
William L. Sulzbacher  
Clarkson Dr., Fulton, Md.

Donald Eugene Thain  
Edgewood Arsenal, Md.

Kenton Eugene Travis  
Aberdeen, Md.

Walter Weinstein  
Univ. of Md., Baltimore

## BURRELL "WRIST-ACTION" LABORATORY SHAKERS



The same complete mixing swirl you get with your own hand and wrist has been copied mechanically in Burrell shakers. Then, superior to human wrist-action, the shaking motion operates at a constant speed—for as long as is required.

You control procedures from gentle agitation to violent swirling and repeat any operation at another time. The degree of shaking is controlled mechanically with an adjustable knob. The full torque of the constant speed motor is always applied to the oscillating mechanism. Loads need not be equalized or balanced. Shaking degrees are set, and repeated exactly at another time, to a scale graduated from 0 to 10. A built-in timer will automatically stop the shaker at any desired time up to 55 minutes or may be set to operate continuously.

### BUILD-UP<sup>®</sup> DESIGN

You Build-Up to suit your requirements. Starting with a standard shaker base unit, consisting of motor, oscillator and controls; you add a platform that accommodates Separatory Funnel Clamps or 8 Erlenmeyer flasks; and side-arms for 8, 12 or 16 flasks or bottles. Users may start with any Build-Up size and add or modify later, as all parts are interchangeable.

### Burrell Shaker BUILD-UP SIZE BT

Offered as the most versatile arrangement for general laboratory use. Includes standard shaker base unit, platform for up to 8 Erlenmeyer flasks and side arms for up to 8 flasks or bottles.

For more information see your Burrell representative or write for Bulletin No. 307.

**BURRELL**

**BURRELL CORPORATION**  
SCIENTIFIC INSTRUMENTS AND LABORATORY SUPPLIES  
2223 FIFTH AVENUE, PITTSBURGH, PA. 15219

## DR. COOKE

Dr. Cooke's services to the Maryland Section began in committee work in connection with the National ACS meeting held in Baltimore in 1938. He has not stopped since. He continued to work long, hard and generously for the Maryland Section, serving on the Executive Committee, as Chairman of the Section, as editor of *The Chesapeake Chemist*, and as a Councilor. While on the national Council he was for several years a member of the Council Standing Committee on Membership Affairs, and later a member of the Council Committee on Education.

Dr. Cooke spent most of his working years directing research at Crown Cork and Seal Co. While there he acquired a national reputation for his knowledge of the properties of cork, and of bottle closures in general. He is the author of the book *Cork and the Cork Tree*.

Shortly after he retired from Crown Cork and Seal, Dr. Cooke began to teach a laboratory section in Freshman chemistry at Goucher College. Two years later, upon the death of H. Huntley Lloyd, Dr. Cooke took over Dr. Lloyd's work at Essex Community College, then a small, struggling junior college. As the college grew, Dr. Cooke became Chairman of the Division of Science and Mathematics, and built it up until, at the time of his retirement in 1967, it consisted of nine full time scientists and mathematicians and an equal number of part-time instructors, offering courses in mathematics, biology, chemistry, physics, physical science and engineering drawing. He planned the temporary laboratory structures used by the College on the old Dorsey campus, and the spacious new laboratories at the new Ridge Road campus. He had, moreover, great influence upon the overall development of the College, in curriculum, educational philosophy and administrative practices. Upon his retirement the College made him an emeritus professor, and plans to name the Science Building, soon to be constructed, the Giles B. Cooke Laboratories. Dr. Cooke's teaching was especially characterized by his great personal de-

votion to the welfare of his students whom he knew personally and well.

Dr. Cooke received his B.S. degree from the College of William and Mary; he continued his studies at the University of Maryland where he received both his M.S. and Ph.D. degrees.

## CORK, COLLEGE AND INDUSTRIAL CHEMISTRY

Some of the problems involved with the materials suitable for packaging foods and beverages in glass containers will be discussed. A few years ago caps with cork liners were used on many foods sealed in jars and paper liners were preferred for dry sealing such items as instant coffee. Recently plastic sealing liners have replaced cork and rubber to a large extent.

The chemical composition of cork will be discussed. Since it is the bark of an oak tree, tannins are present. But even some chemists might be surprised to know that thirty percent of a high quality cork stopper consists of fatty acids.

Industrial chemical research is excellent preparation for teaching chemistry. A large percentage of chemistry students work in industry when they graduate. Today, college freshmen like to do things. Groups of two or three selected students enjoy demonstrating before the entire class such experiments as Boyle's Law, the estimation of oxygen in the atmosphere, the electrolysis of water, the conductivity of strong and weak electrolytes and the preparation of a mirror. The students who make the demonstration help prepare all materials and must be thoroughly familiar with their experiment. Such class activity helps the students learn and enjoy chemistry and gives them confidence.

### COPY DEADLINE

Copy for the *Chesapeake Chemist* should be forwarded to the Editor not later than the tenth of the month preceding publication.

# 7th MARM CALL FOR PAPERS!

The 7th Middle Atlantic Regional Meeting (MARM) will be held next year at the Marriott Hotel, Philadelphia, Pennsylvania from February 14-17, 1972. The central theme of the meeting is "WORLD FOOD".

The success of this meeting will depend to a great extent on the quality and quantity of the papers to be presented. Let's make the Maryland Section well represented. Send inquiries to the following Chairmen:

General Meeting Chairman

Dr. Eugene Rosenbaum  
Drexel University  
Philadelphia, Penna. 19104  
(215) 387-2400

Program Chairman

Dr. John F. Gall  
Philadelphia College of  
Textiles and Science  
Philadelphia, Penna. 19144  
(215)843-9700

DIVISIONS REPRESENTED

Analytical Chemistry	Chemical Engineering	Colloid & Surface Chem.
Catalysis	Chemical Documentation	Chemical Marketing & Economics
Chemical Education	Computers in Chemistry	
Environmental Chem.	Fiber Chemistry	Flourine Chemistry
Inorganic Chemistry	Medicinal & Biochemistry	Organic Chemistry
Petroleum Chemistry	Physical Chemistry	Polymer Chemistry
Professional Relations	Rubber Chemistry	Undergraduate Research
Technicians	World Food	Solid State Chemistry

-----Tear-Out Dinner Reservation Form-----

There is enclosed \$.....(\$5.50 per person)\* for cocktails and dinner at Eudowood Caterers, Eudowood Plaza, for the following persons.\*\*

<u>Name</u>	(Please print or Typewrite)	<u>Affiliation</u>
_____	_____	_____
_____	_____	_____

\*Please make checks payable to Maryland Section, ACS and mail together with reservation form to Mr. Allen Bednarczyk, McCormick and Co., Inc., 204 Wight Ave., Cockeysville, Md. 21030, or phone 666-3155.

\*\*Return by Friday preceeding next meeting.



Does Fisher have stock of the supplies you need?

Call us. Within one minute, we can give you a definite answer. (Not an educated guess.) Without delaying phone calls or letters to other branches.

How? Through Fastback—a very apt name for our new real time computer system.

Fastback knows—down to every micro-second—the exact stock status of every item we carry. In all 16 U.S.A. inventory centers too. Not just the one you call. Hence: you have instant, current stock information.

Another thing: you can depend on far, far fewer back

orders. Fastback is actually programmed to avoid them. Because it has real time inventory information, Fastback can draw from Fisher's entire nation wide network of inventory centers to fill your orders.

So if you're tired of delays and back order hang-ups, call Fisher. Fastback will deliver what you need . . . when you need it.



Fisher Scientific Co.

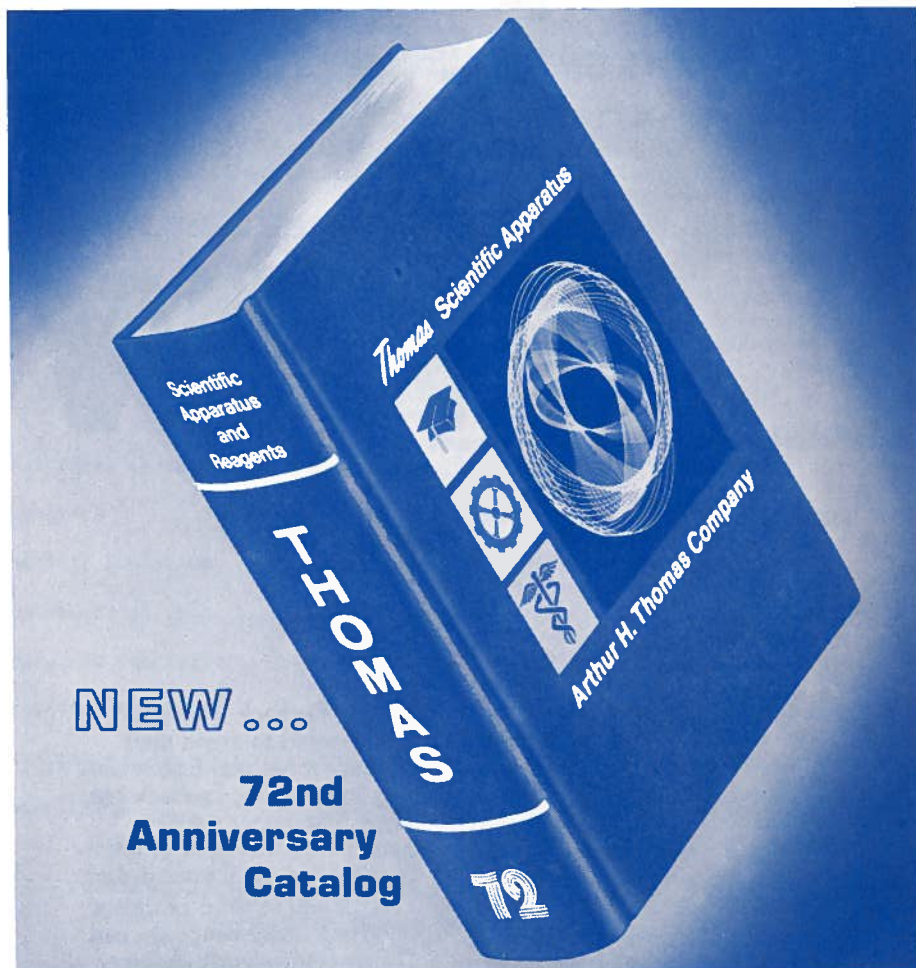
7722 FENTON STREET, SILVER SPRING, MARYLAND 20910 PHONE: 587-7000



The Chesapeake Chemist  
University of Maryland  
636 W. Lombard Street  
Baltimore, Maryland 21201

Nonprofit Org.  
U. S. Postage  
PAID  
Baltimore, Md.  
Permit No. 2917

PLEASE DO NOT DELAY — DATED NOTICE INSIDE



A new 1424-page edition of our general catalog, SCIENTIFIC APPARATUS AND REAGENTS selected especially for Academic, Industrial and Medico-Biological Laboratories, is now being distributed.

More than 2,400 new items are listed, with detailed factual descriptions, carefully

*indexed and cross-referenced. Included are recent developments both of our company and of the makers of standard brands.*

*All items are carefully selected and continually inspected for quality and performance. Stocks of all items listed are regularly maintained for immediate shipment.*

*Copy sent upon request to laboratory and purchasing personnel.*



**ARTHUR H. THOMAS COMPANY**

*Scientific Apparatus and Reagents*

VINE STREET AT 3RD • P.O. BOX 779 • PHILADELPHIA, PA. 19105, U.S.A.